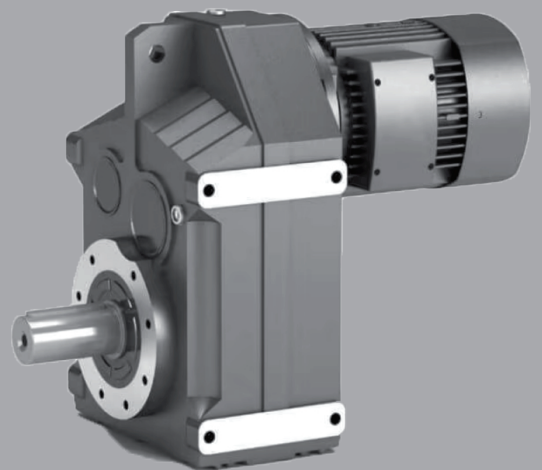
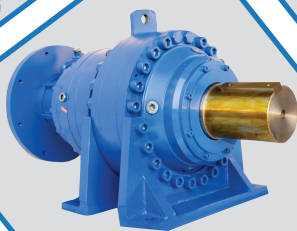
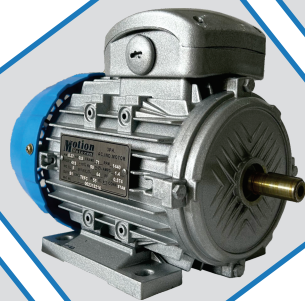
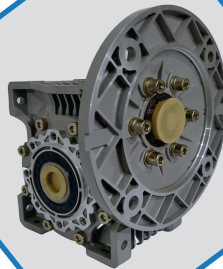
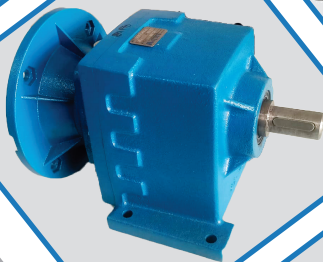
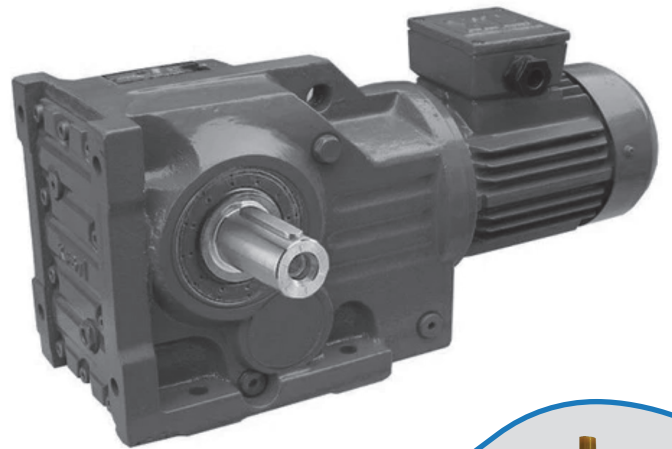


# Motion

**Motoren**

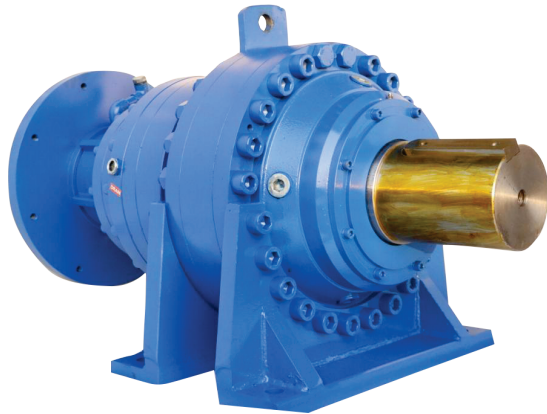
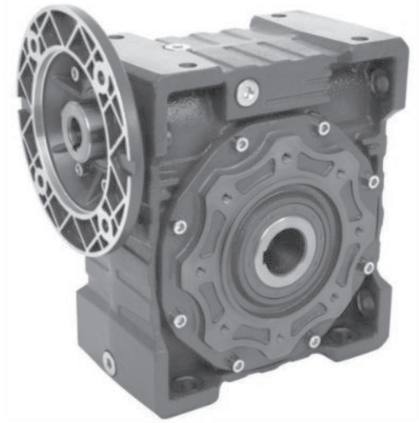


*Wheels of Success*

## Worm Gear Box

Worm speed reducer is an Indian Product developed with indigenous Design and manufactured according to the international standard.

|                        |   |  |
|------------------------|---|--|
| <b>Center Distance</b> | : | 30 -150mm  |
| <b>Ratio</b>           | : | 7.5 - 100  |
| <b>Input Power</b>     | : | 0.16 HP - 20 HP  |
| <b>Mounting</b>        | : | Universal Mounting   |
| <b>Output Shaft</b>    | : | Hollow 14mm - 50mm Plug in solid shaft                     |
| <b>Types</b>           | : | Heli-worm , Double Worm &<br>Worm Screw Jack Speed Reducer |



## Planetary Gear Box

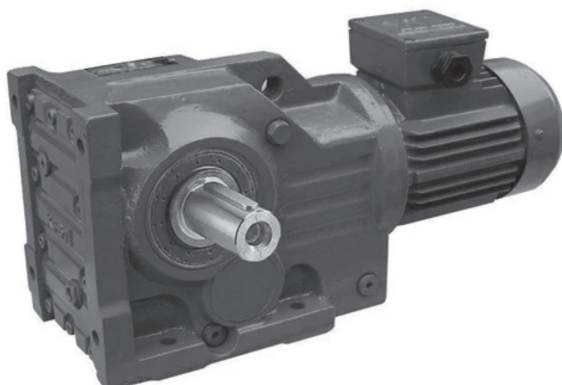
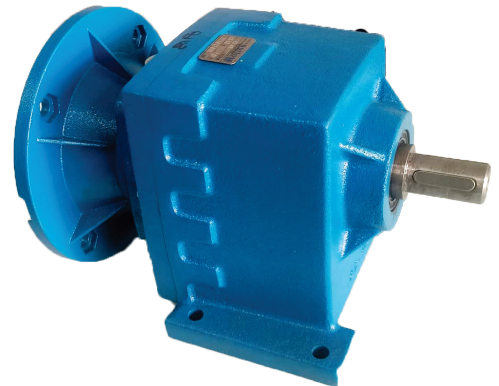
Compact, Sturdy, multiple planet meshing allows power transmission through several path yet extremely powerful high torque transmission & ultimately smaller design, make ideal for severe duty application where shocks & impact are more...

|                            |   |   |
|----------------------------|---|---|
| <b>Ratio</b>               | : | 3.26 - 1400   |
| <b>Torque</b>              | : | 750-25000 KGM   |
| <b>Input Power</b>         | : | Electric motor - 0.25HP - 150 HP<br>Hydraulic Motor, Servo Motor-<br>Free Input (solid Shaft) |
| <b>Mounting</b>            | : | Foot, Flange, Agitator And Special  |
| <b>Output shaft</b>        | : | Solid/hollow Shaft With Key Way<br>Solid/hollow Spline Shaft<br>Shrink Disk With Torque Arm   |
| <b>Right angle version</b> | : | Worm Planetary, Bevel Planetary, Helical Planetary  |

## Inline Helical Gear Box

Helical gearbox series are based on unique, modular, robust design. The gearbox ratio and main dimensions are according to standard series, this helps to maintain interchangeability of gears and hence faster in deliveries.

|                    |   |                    |
|--------------------|---|--------------------|
| <b>Input Power</b> | : | 0.25HP - 10 HP     |
| <b>Ratio</b>       | : | 5 - 200            |
| <b>Mounting</b>    | : | Foot / flange type |

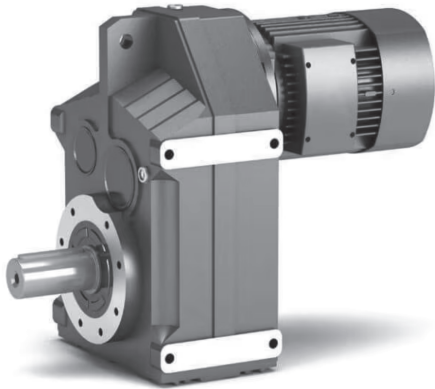


## Bevel Helical Gear Box

Motion Motoren Bevel Helical Gear Boxes, Such as those in the "k" Series. are characterized By high efficiency, reliability low maintenance and a compact design due to their right-angle configuration

Reduction Ratio- 5-186  
Mechanical Power - 0.18kw - 200kw

Performance- High efficiency, low backlash, quite and vibration Free operation



## Parallel Shaft Gearbox

Motion Motoren Parallel shaft gearboxes found in the "F" Series Primarily helical and bevel helical gears are used in Parallel shaft configuration

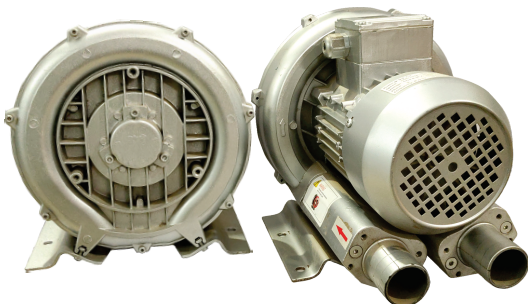
Reduction Ratio- 4.07- 205  
Mechanical Power- 0.18kw - 132kw

Performance- High efficiency, low backlash, quite and vibration Free operation

## AC Compact Geared Motor

6 W to 400 W, Single-Phase 220-230 VAC, 50 Hz, 1300 RPM / 3 Phase 220-415 VAC, 50 Hz, 1300 RPM,, Electromagnetic Brake Available, Parallel Shaft, Right-Angle Solid Shaft, Right-Angle Hollow Shaft Gear Motors, Stainless Steel Output Shafts available.

**Power AC/DC** : 6 Watts - 400 Watts  
**Ratio** : 3 - 500  
**Mounting** : Foot / Flange type



## Vacuum Blower

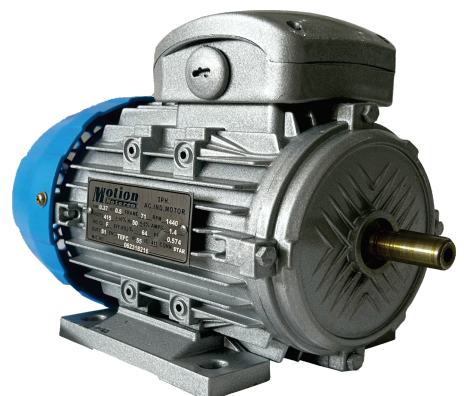
Single Phase, Rating: 0.37-1.5 kW & 3 Phase, Rating: 0.18 kW - 7.5 kW, 415 Volts, Freq.: 50 Hz, RPM 2800, IP 54, Insulation Class F, Material of Construction: Aluminium High Pressure Die Casting.

Performance- Low Vibration, Low noise and easy installation

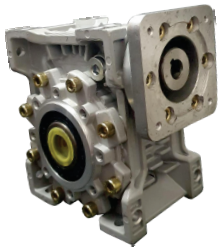
## LT Electric Motors

LT Electric Motors, 220 Volts to 415 Volts  $\pm$  10%, Freq. 50 Hz  $\pm$  5%, Combined Variations  $\pm$  10%, Duty: S1, Mounting etc., Ambient Temperature: 50°, TEFC (Totally Enclosed Fan Cooled) Protection: IP54, IP55, Insulation Class "F" / Class "H", with bare shaft & key as per IS:12615 / IEC:60034-1.

**Capacity** : 0.16 HP - 20 HP  
**Speed** : 3000 rpm, 1400 rpm, 1000 rpm & 750 rpm  
**Duty** : S1, S2, .....S6  
**Mounting** : B3(Foot), B5 (Flange), B35 (Foot Cum Flange), B14 (Face), B34 (Foot Cum Face)  
**Types** : Brake Motor, Dual Speed, TEFC, Customized Motors & STD Motors



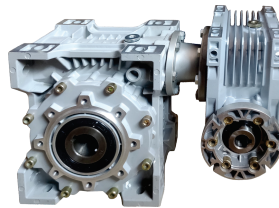
# Customize Industrial Solution



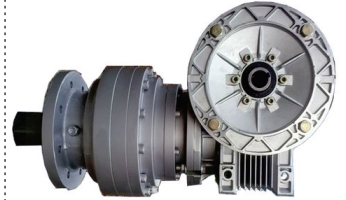
For Servo Motor



Dual Bi- Directional Gearbox



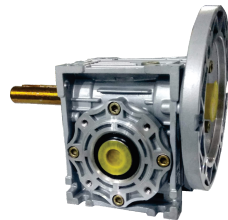
Double Worm Speed Reducer



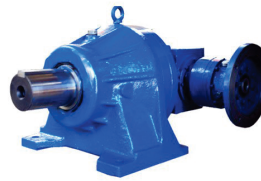
Worm + Planetary Drive



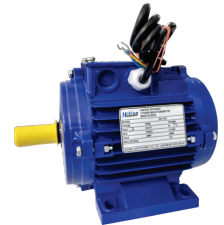
Worm Screw Jack



Input Hollow + Solid Shaft



Bevel Planetary Gear Box



Fan Motor



Electric Winch



Electric Winch

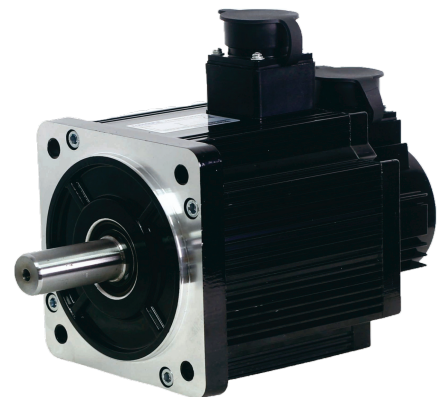


Worm Gear Box Casting Body With Screw Jack



## Air Compressors

Types : Reciprocating & Screw Air Compressor



Servo Motor

### Motion India

Plot No. 8, Bata Colony, Near Bata Flyover,  
Hardware-Bata Road, NIT Faridabad, Haryana

Contact : 0129 - 4084326, Mob. : +91 93190 10055, 93198 30055,

Email : motionindia2020@gmail.com/ info@motionindia.in, Web : www.motionindia.in